



Archbishop
MOELLER

Technical Computer Design (CP1) TE231

Mr. Kolkmeyer



TE231 Technical Computer Design

Course Information:

1. Technology/Business
 2. Semester $\frac{1}{2}$ credit
 3. CP1
 4. Grades 10,11,12
 5. Prerequisite: Math grade 75- 80% Min.
- ✓ Knowledge of geometry and fractions
 - ✓ For more information about the course stop by ITC 1 before or after school.



Archbishop
MOELLER

TE231 Technical Computer Design (CP1)

- Introduction to technical drawing using Solid Edge
(Solid Edge: high end engineering/design software by Siemens PLM)
- Students will work in the following design areas:
 - Title block layout, lettering, sketching, single-view design, multi-view design, paper model construction and dimensioning tolerances.
- Video examples:
<https://www.youtube.com/watch?v=Yk26WwApWrk>
https://www.youtube.com/watch?v=cF16jzYvv_w
<https://www.youtube.com/watch?v=XbgsgKh3k1E>

TE231 Technical Computer Design

Academic Requirements:

1. Students will complete with detail high level technical drawing problems.
2. Students will be assessed over book terminology.
3. Students drawing skills will be evaluated .
4. Classroom attendance is very important. Many class assignments must be completed during class. Work must be turned in by due date.
5. Success in this course is dependent on class attendance and about 3 hours per week outside the classroom studying for tests and/or finishing drawing problems.



Archbishop
MOELLER

TE231 Technical Computer Design

- All students at Moeller should take this **Technical Computer Design**.
- Any student that likes to build or take apart things should take **TE231**.
- Today everything that is manufactured has a technical designed drawing behind the process.
- Web sites and further information about Technical Design
- <http://www.ustudy.in/node/10221>
- <http://www.me.umn.edu/courses/me2011/handouts/drawing/blanco-tutorial.html>
- <https://bigfuture.collegeboard.org/majors/engineering-technologies-drafting-design-drafting-design-technology>

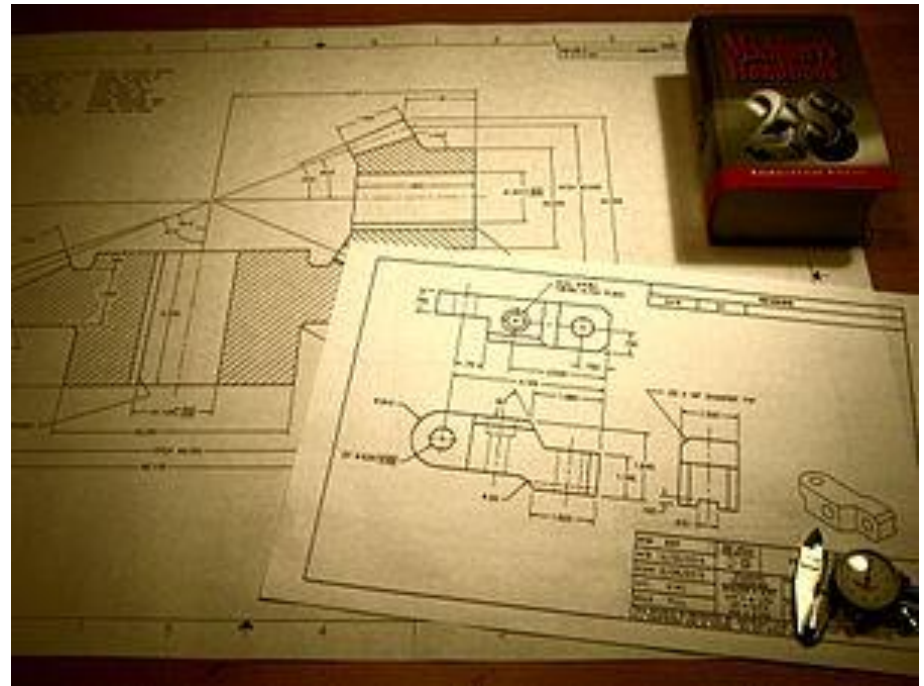


Archbishop
MOELLER

TE231 Technical Computer Design

Engineering drawing

http://en.wikipedia.org/wiki/Engineering_drawing



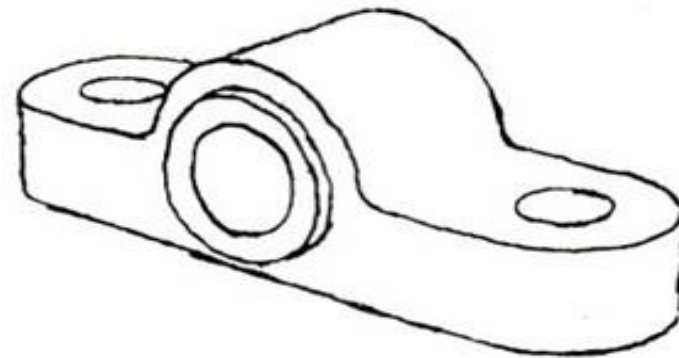
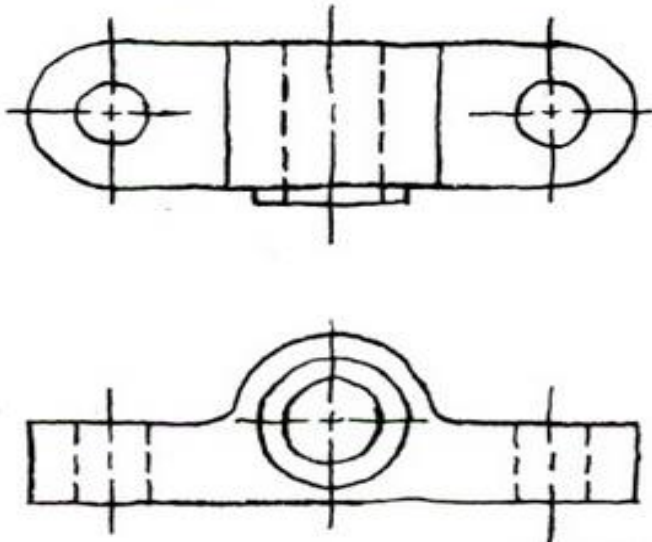
Archbishop
MOELLER

Sketching view design

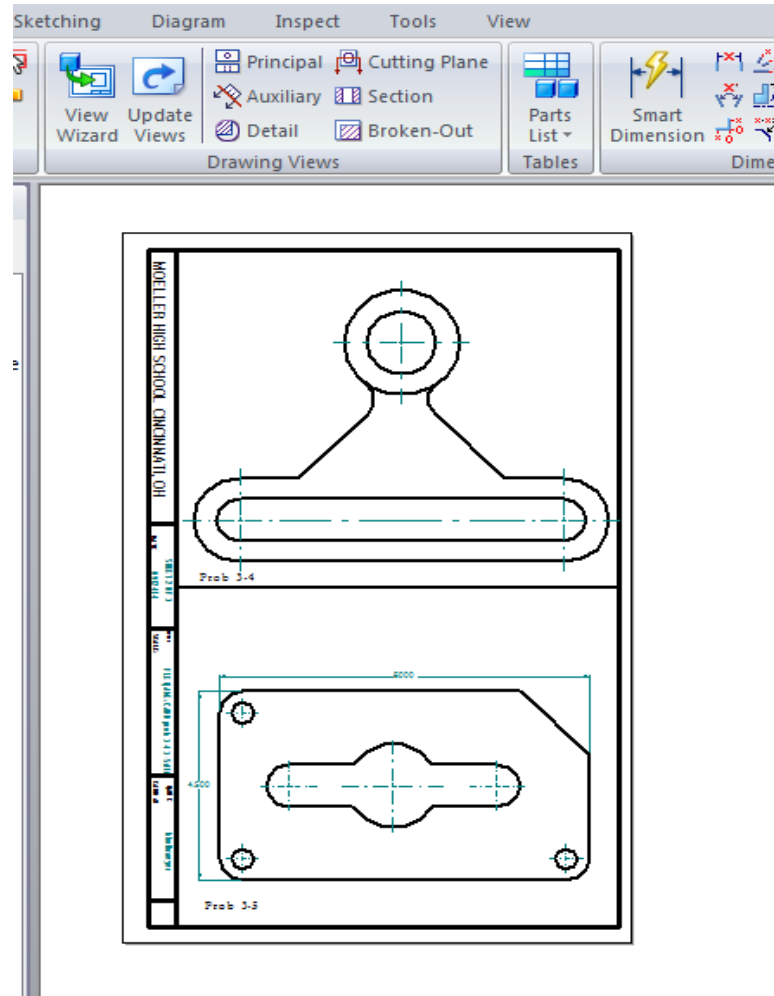
Freehand drawing

The lines are sketched without using instruments other than pencils and erasers.

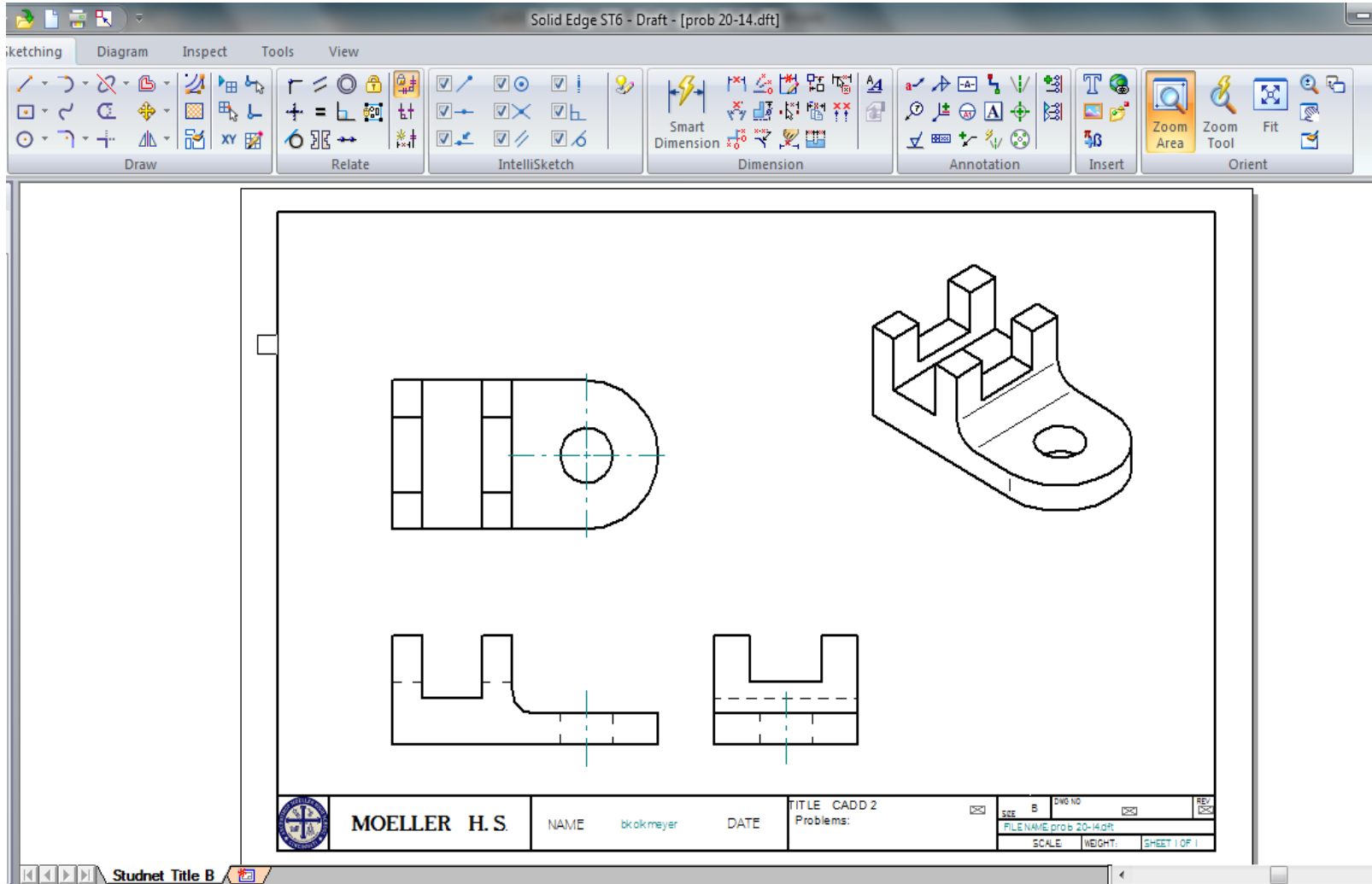
Example



Single view design using solid edge



Multi-view design using solid edge



Multi-view dimensioning tolerances

